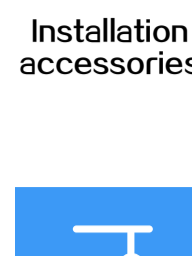


H3C WA6120 Access Point Installation Quick Start-AW100



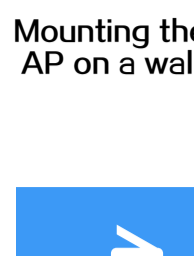
Installation tools



Installation accessories



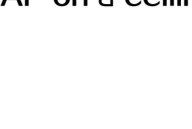
Device/Mounting bracket



Mounting the AP on a wall



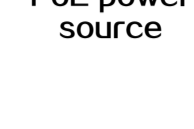
Junction box



Mounting the AP on a ceiling



Connecting a local power source



Connecting a PoE power source

Installation tools

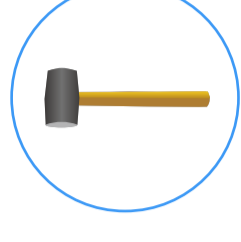
When installing the AP, you might need the following tools. Prepare the installation tools yourself as required.



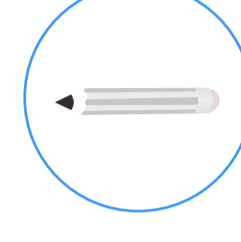
Torque screwdriver



Needle-nose pliers



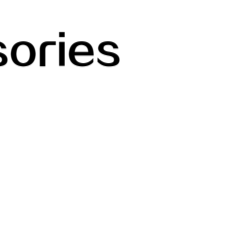
Crimping tool



Wire stripper



Hammer drill



Drill



Rubber hammer



Marker

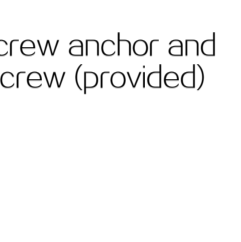
Installation accessories



Mounting bracket (provided)



M4 x 30 mm pan-head screw (provided)

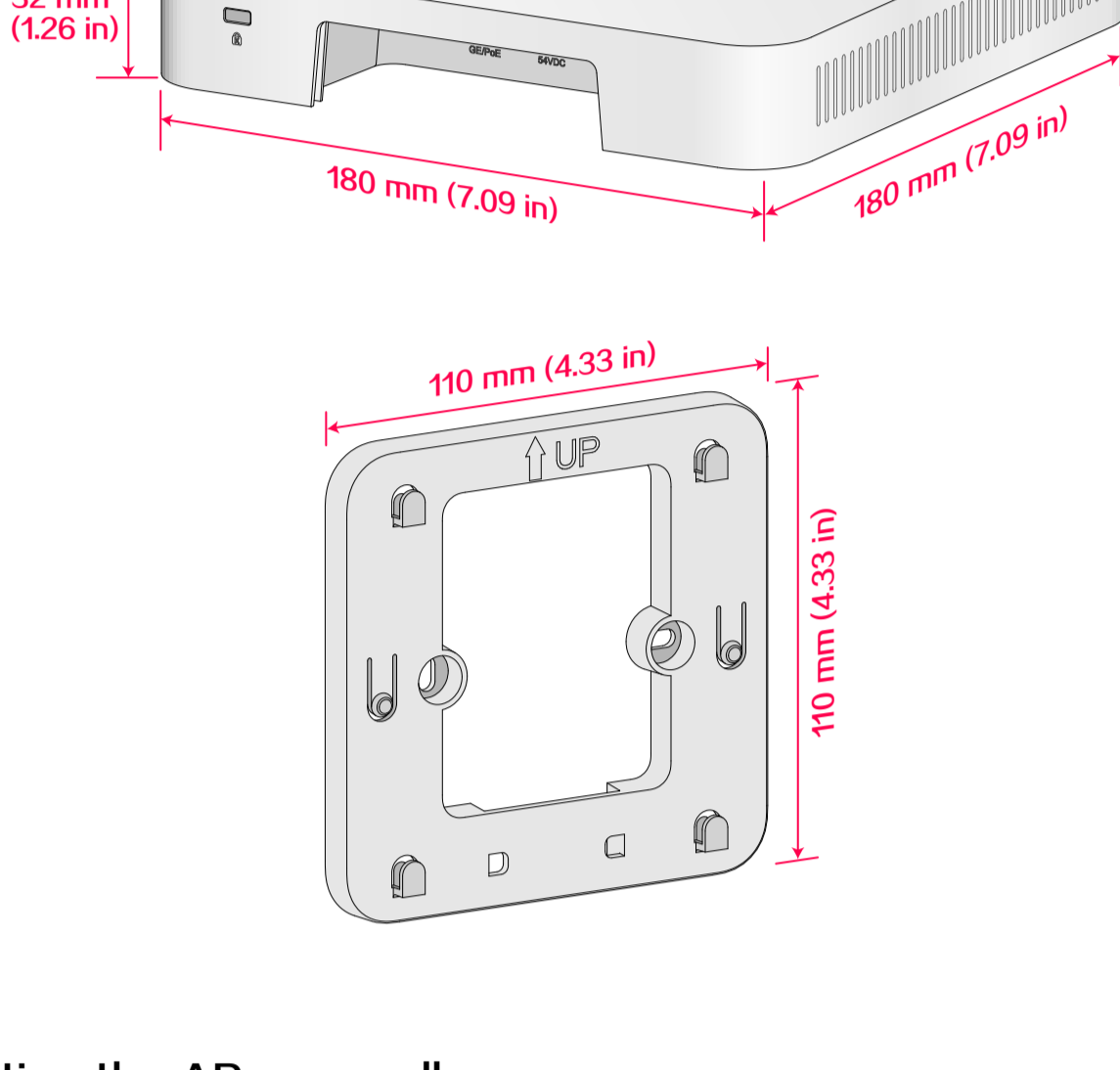


Screw anchor and screw (provided)

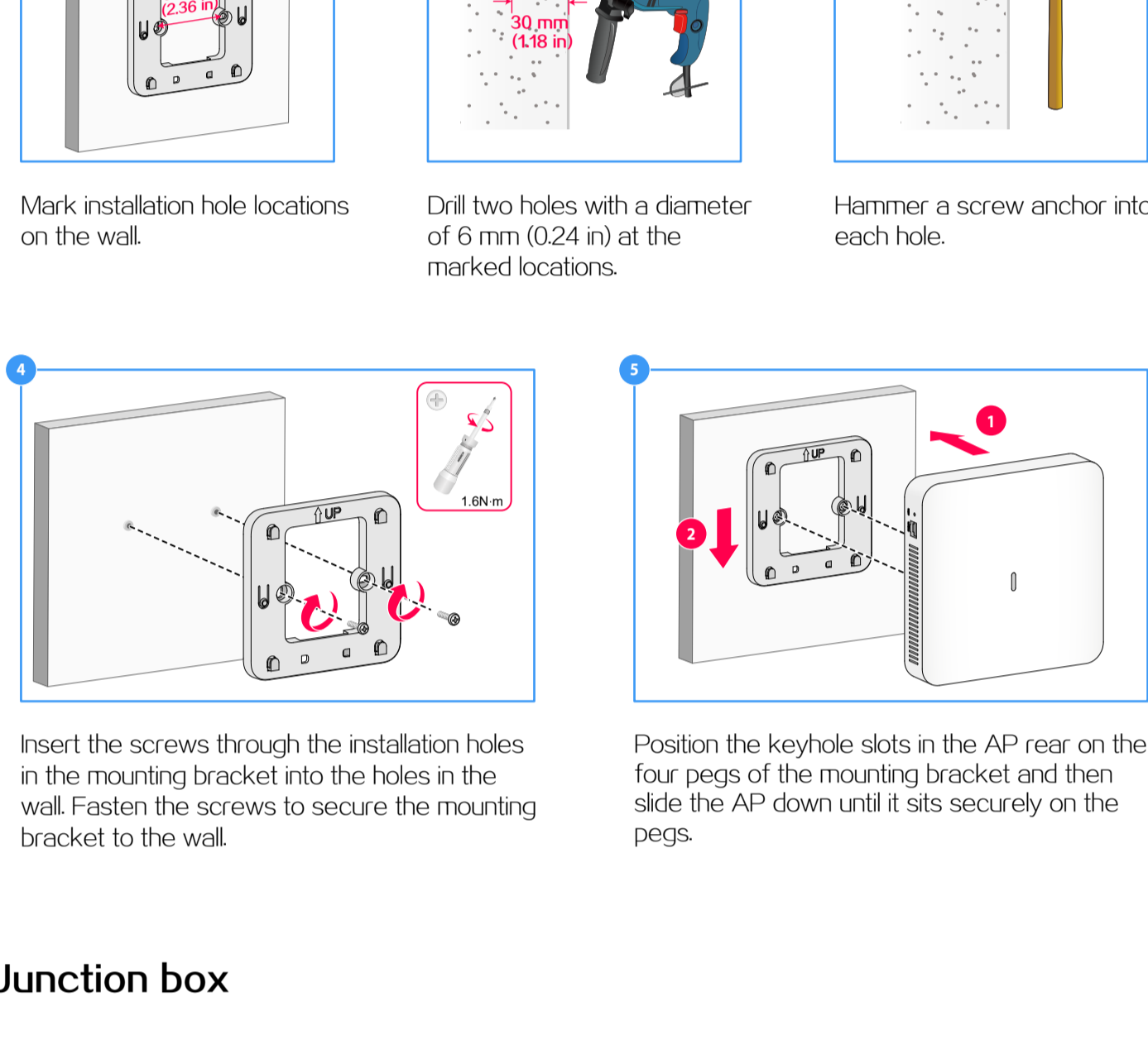


Power adapter (optional)

Device/Mounting bracket

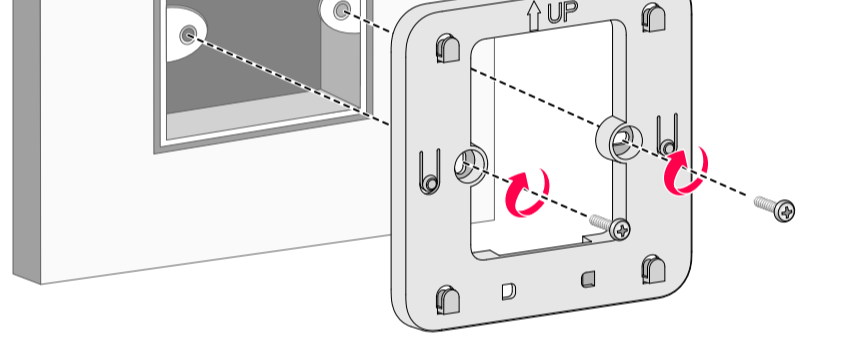


Mounting the AP on a wall



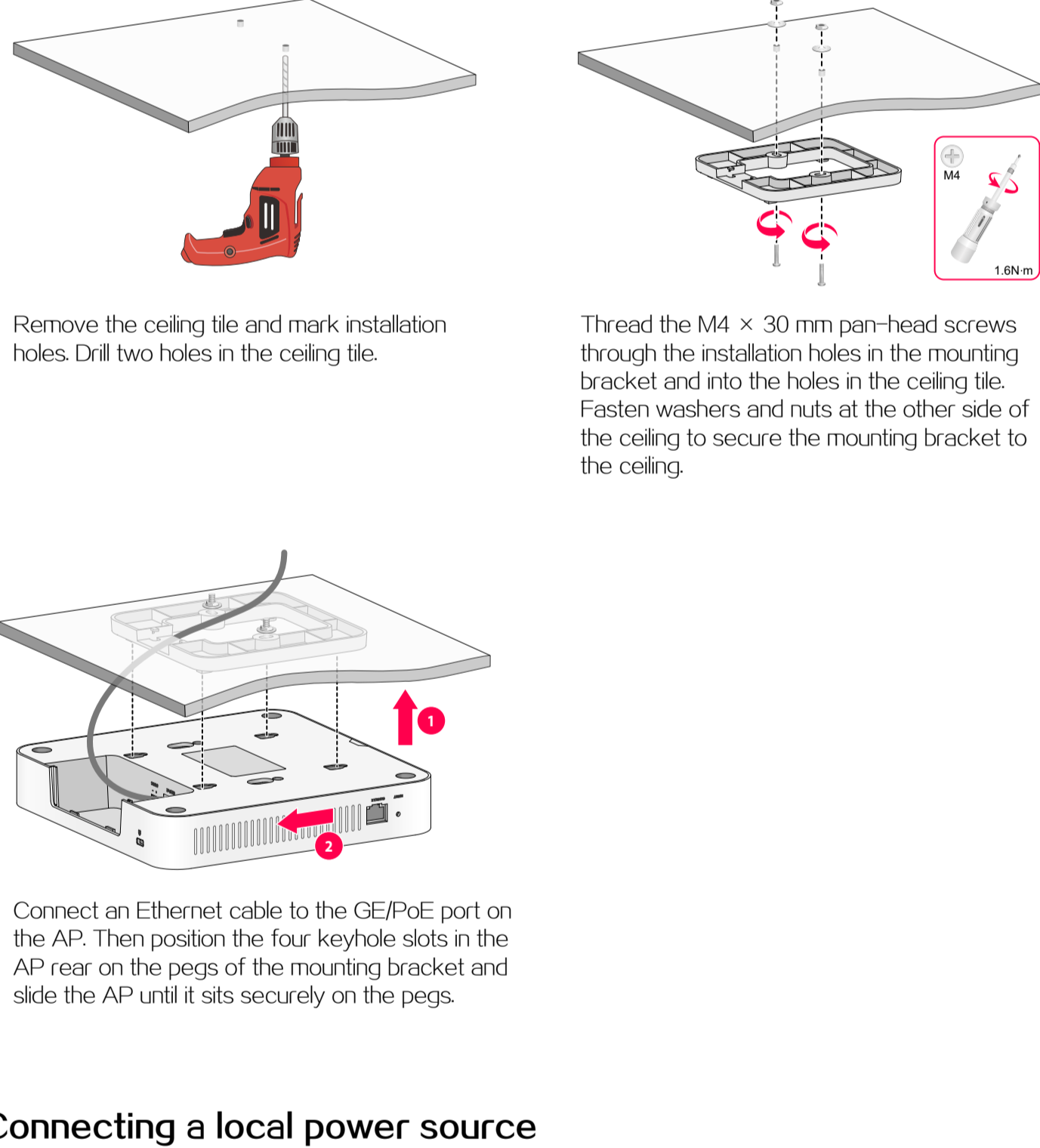
Junction box

1. Use the provided M4 x 30 mm pan-head screws to attach the mounting bracket to the 86 panel.



2. Attach the AP to the mounting bracket. The procedure is the same as wall mounting and 86 panel mounting.

Mounting the AP on a ceiling



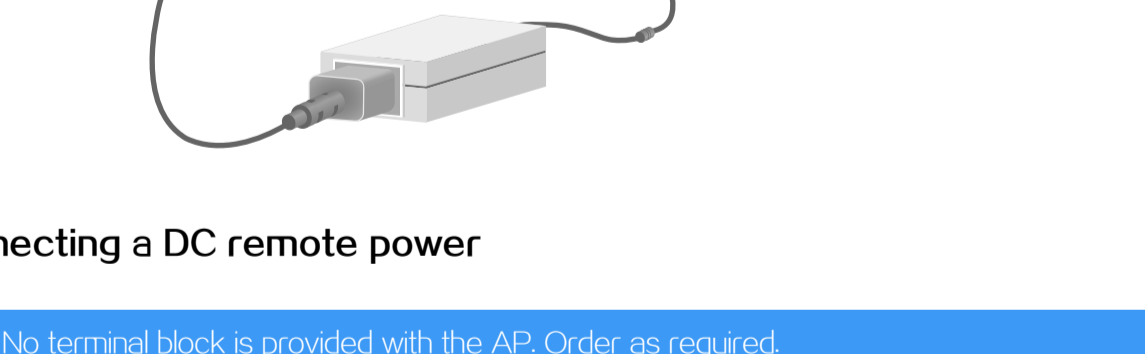
Connecting a local power source

1. Connecting a local power source by using a power adapter

- You can use an AC/DC power adapter to connect the AP to a local power source. No power adapter is provided with the AP. Order as required.
- To use a power adapter, make sure it is the LPS or PS2 type.

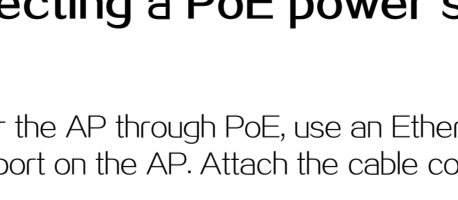
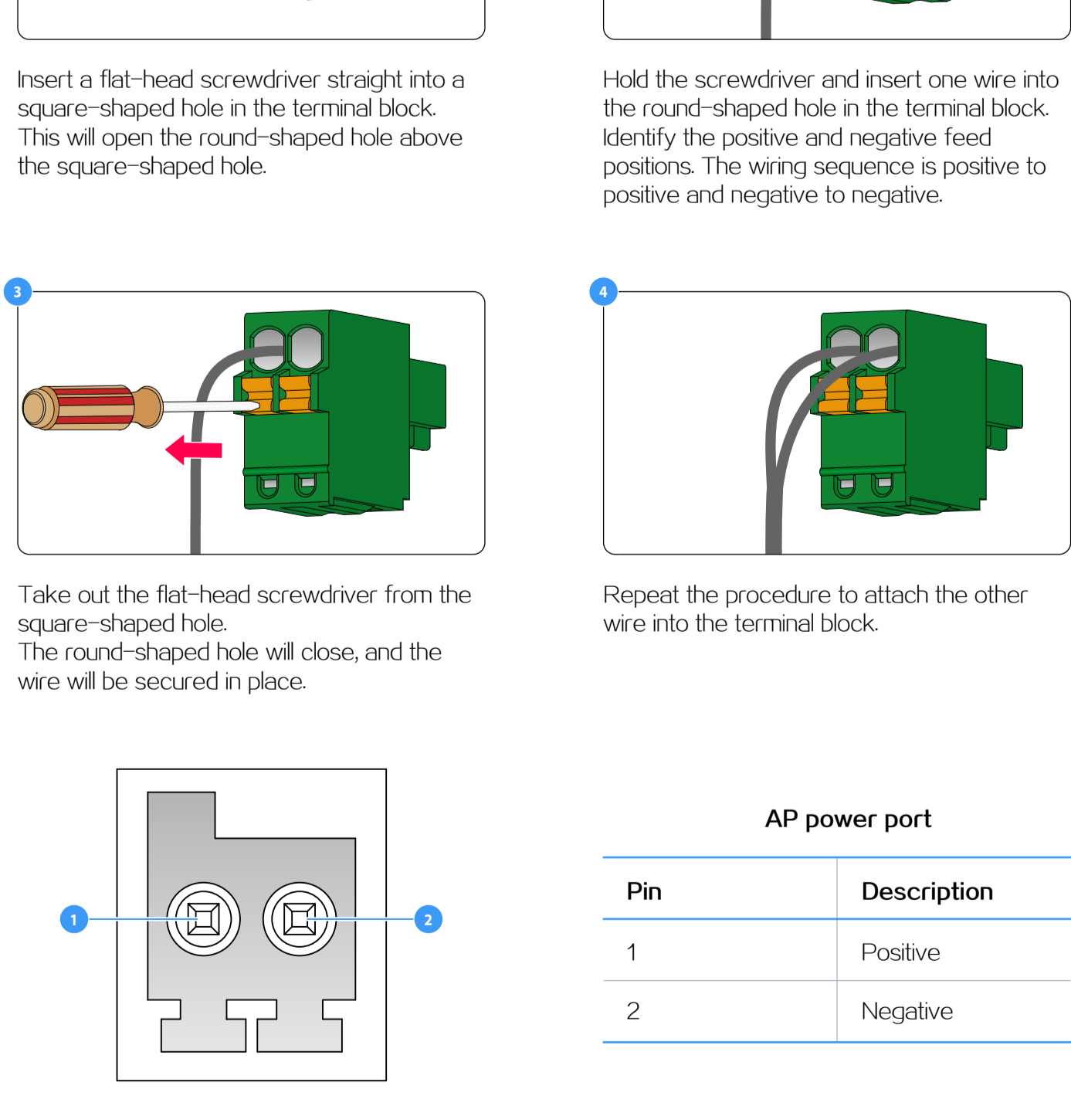
Power adapter specifications:

Item	Specification
Input	100 VAC to 240 VAC
Output	54 V @ 0.74 A
Output power	40W



2. Connecting a DC remote power

- No terminal block is provided with the AP. Order as required.
- As a best practice, should use 20AWG copper wire.
- The input voltage range for the AP is 40 VDC to 55 VDC.



AP power port

Pin	Description
1	Positive
2	Negative

Connecting a PoE power source

To power the AP through PoE, use an Ethernet cable to connect an Ethernet port on a PoE switch to the GE/PoE port on the AP. Attach the cable cover to the AP securely after connecting all cables.

